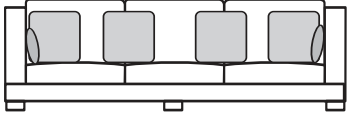
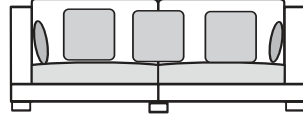


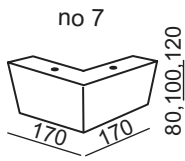
4 SEATER (TWO PARTS)



3 SEATER (TWO PARTS)



**A1** x4



WW M8x80

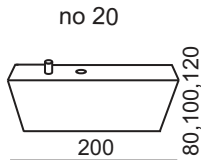
**Ax8**



φ37x3

**Bx8**

**B1** x2



WW M8x80

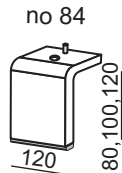
**Ax2**



φ37x3

**Bx4**

**C1** x4



M8x40

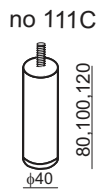
**Cx4**



8,5x22

**Dx4**

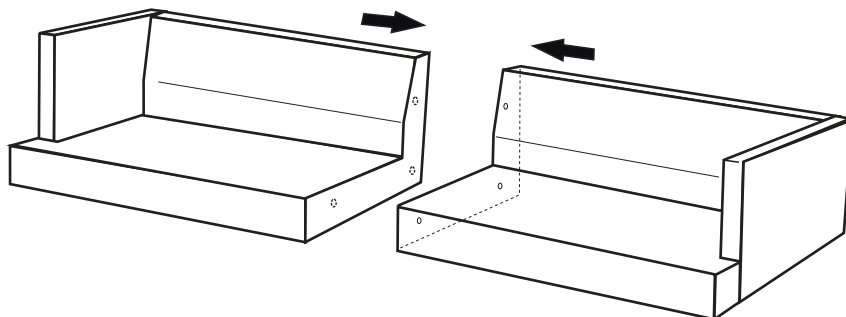
**D1** x2



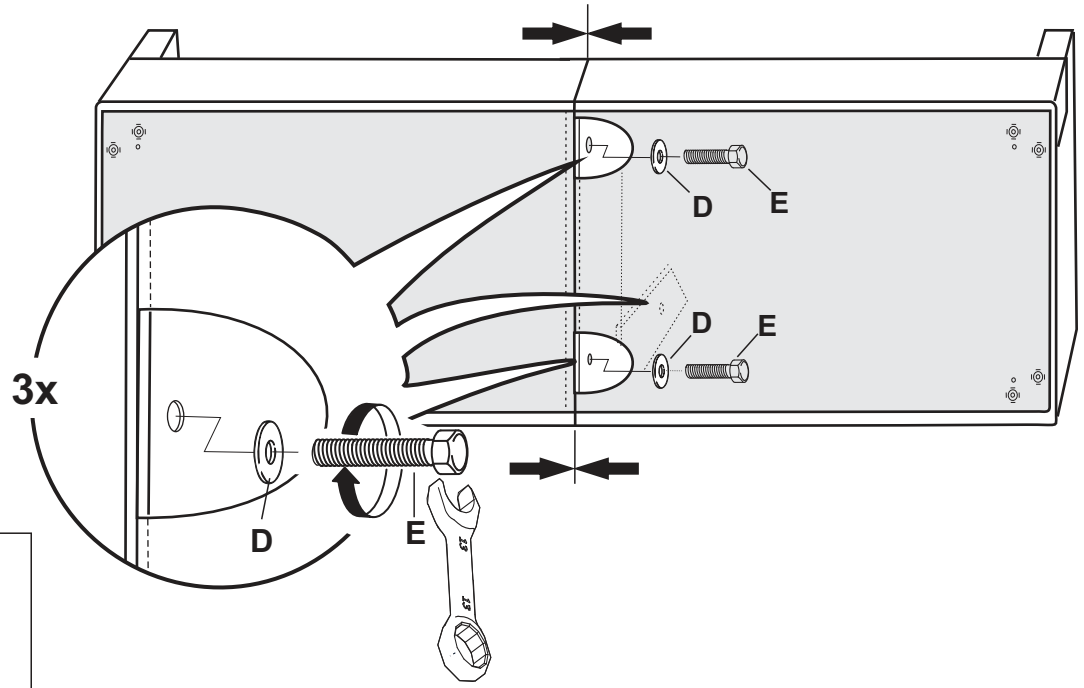
Ø45x3

**E x2**

**1**



2



8,5x22

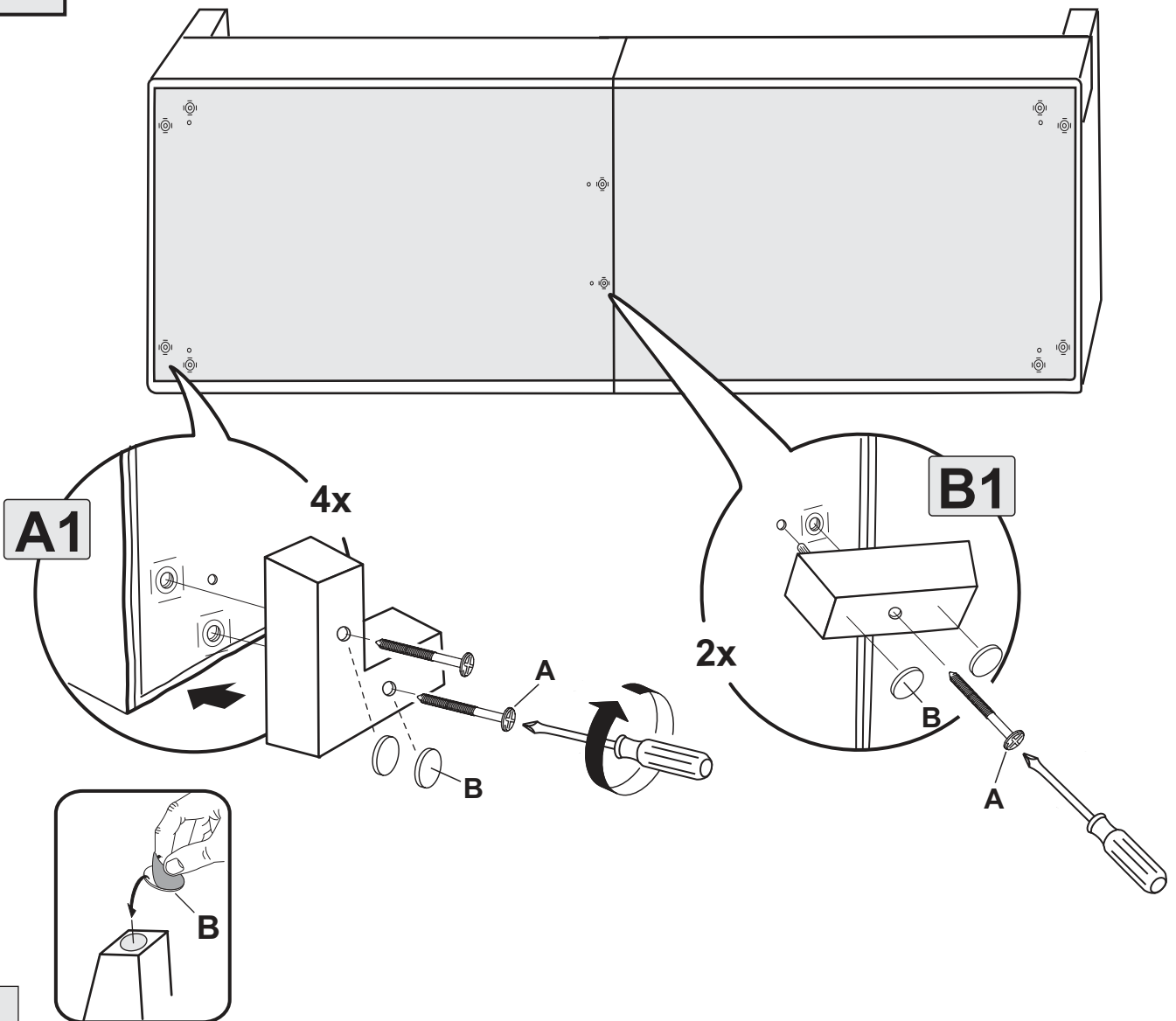
**Dx3**



M8x60

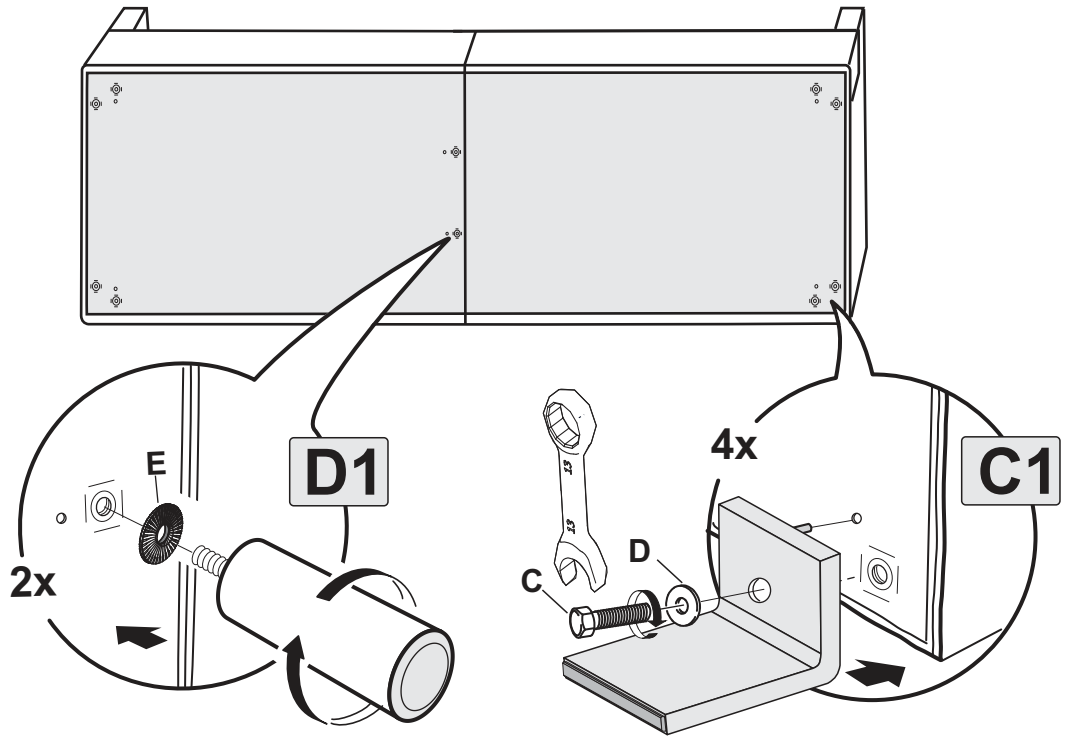
**Ex3**

3

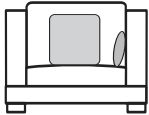


2

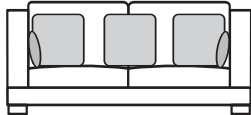
4



ARMCHAIR



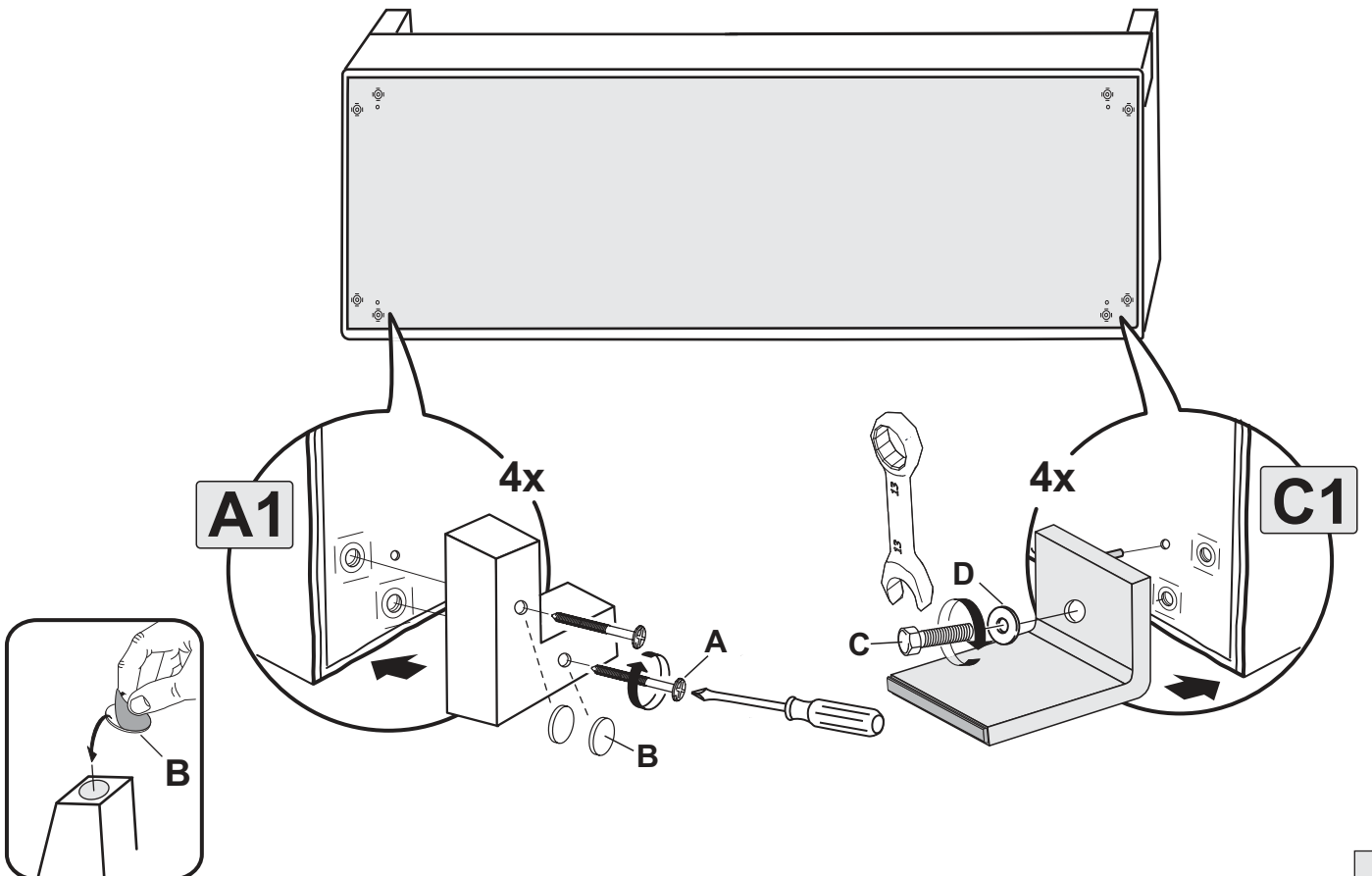
2 SEATER



FOOTSTOOL

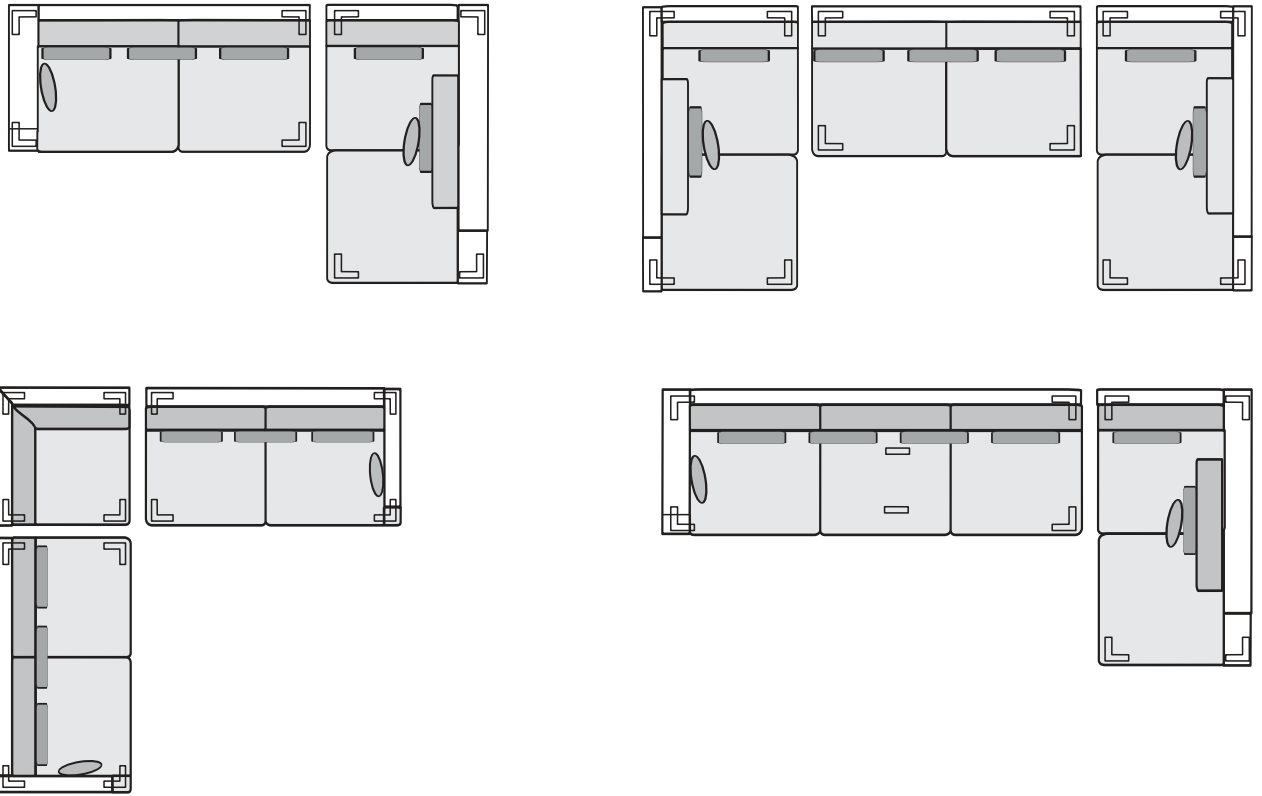


5

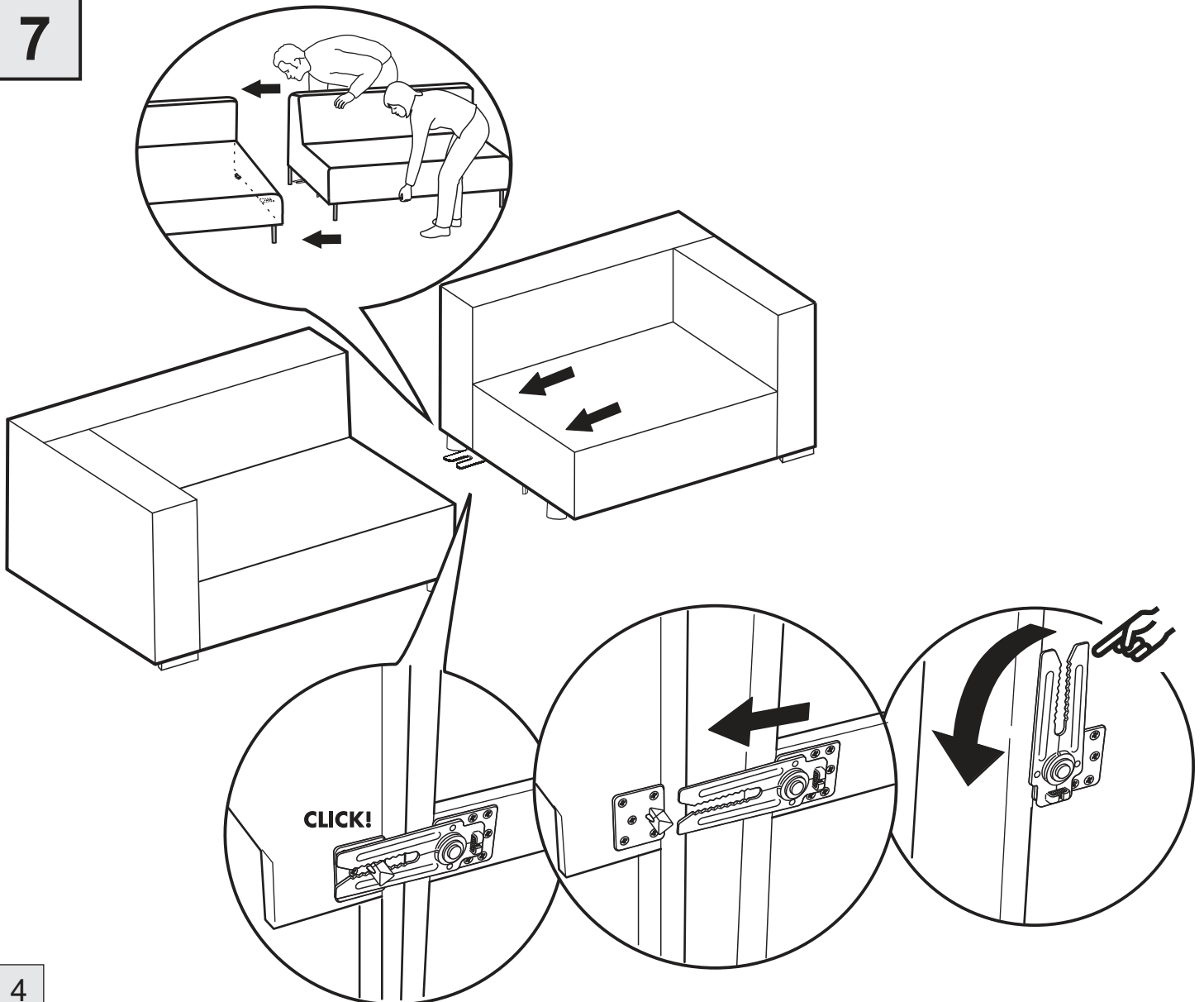


3

6

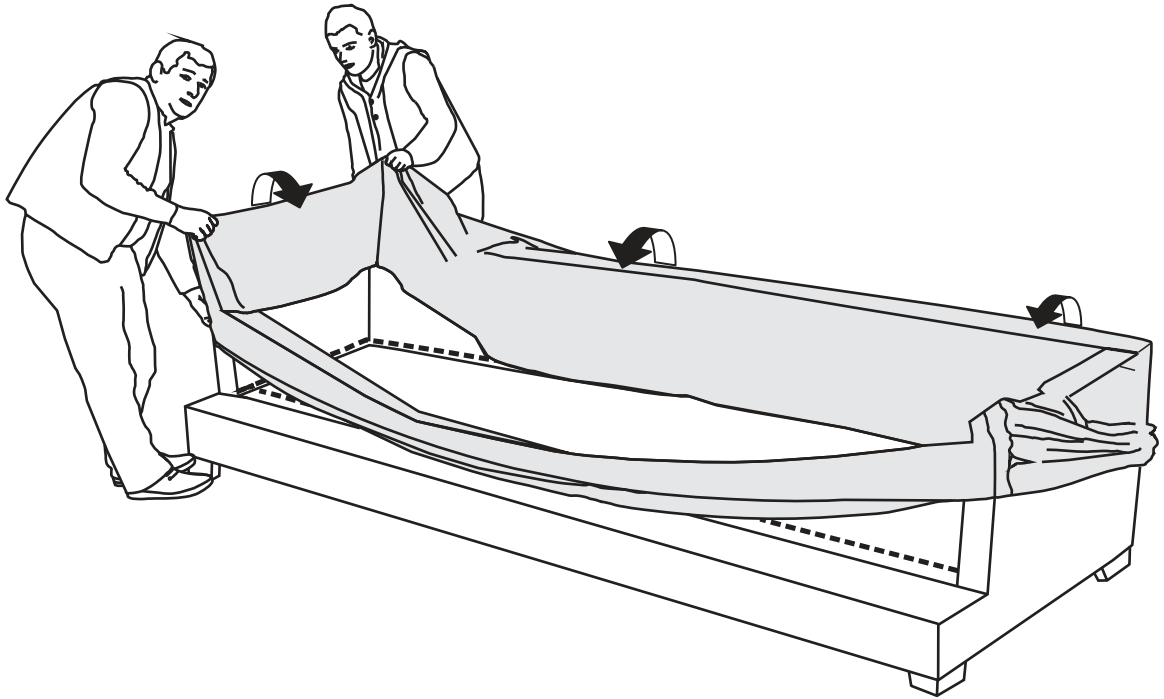


7

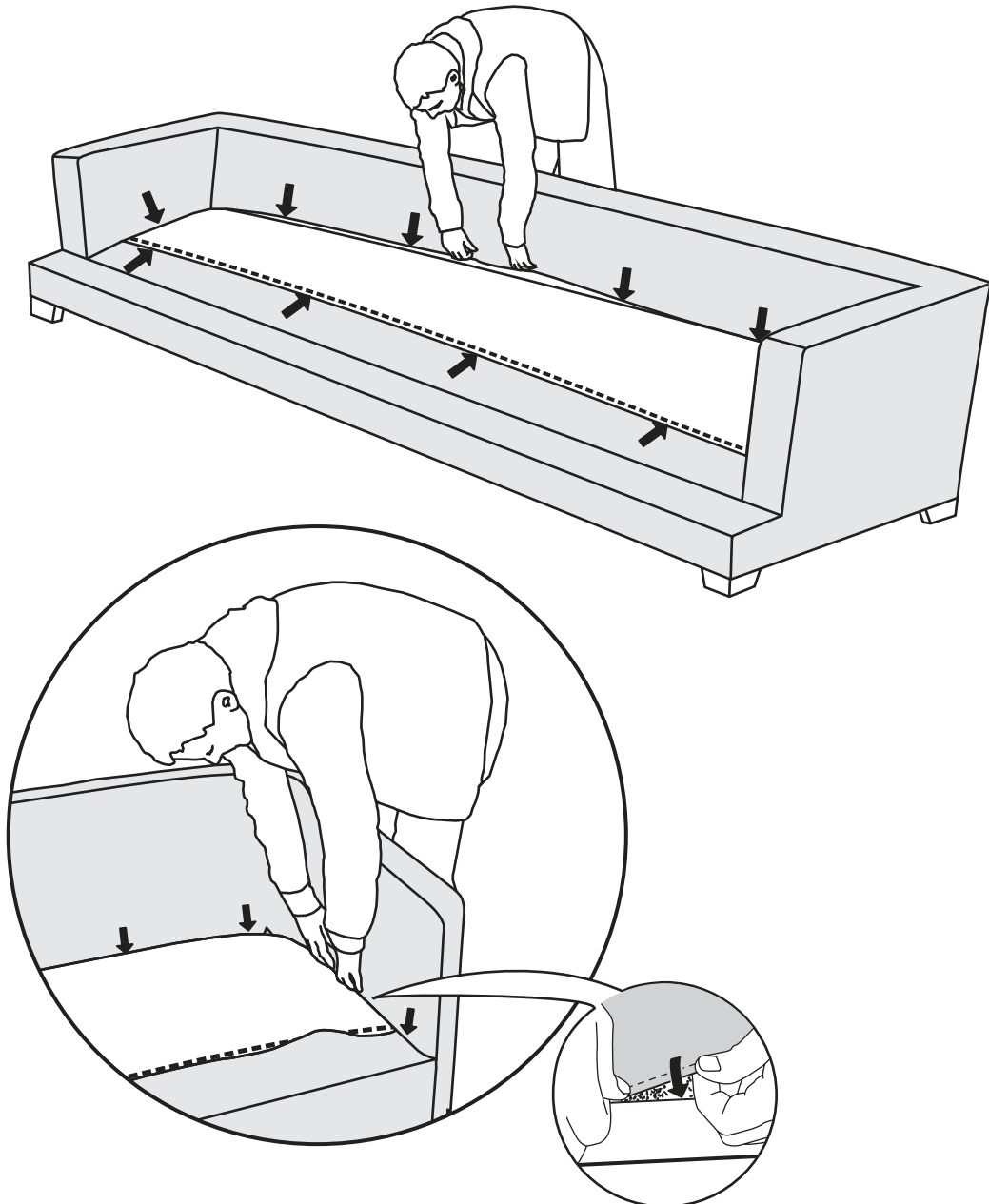


4

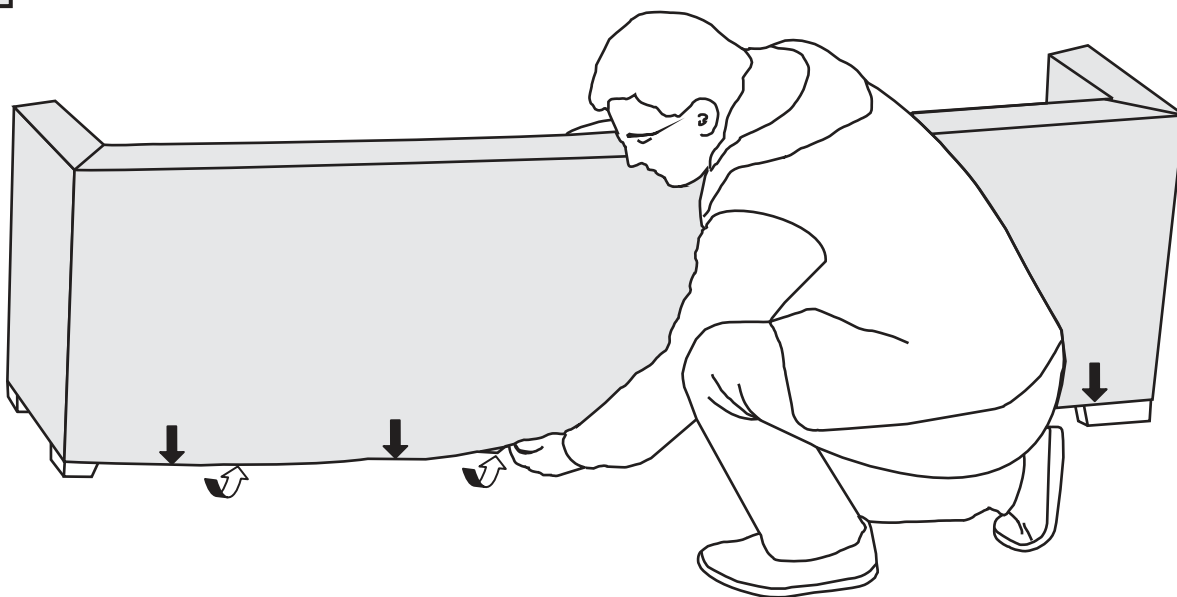
8



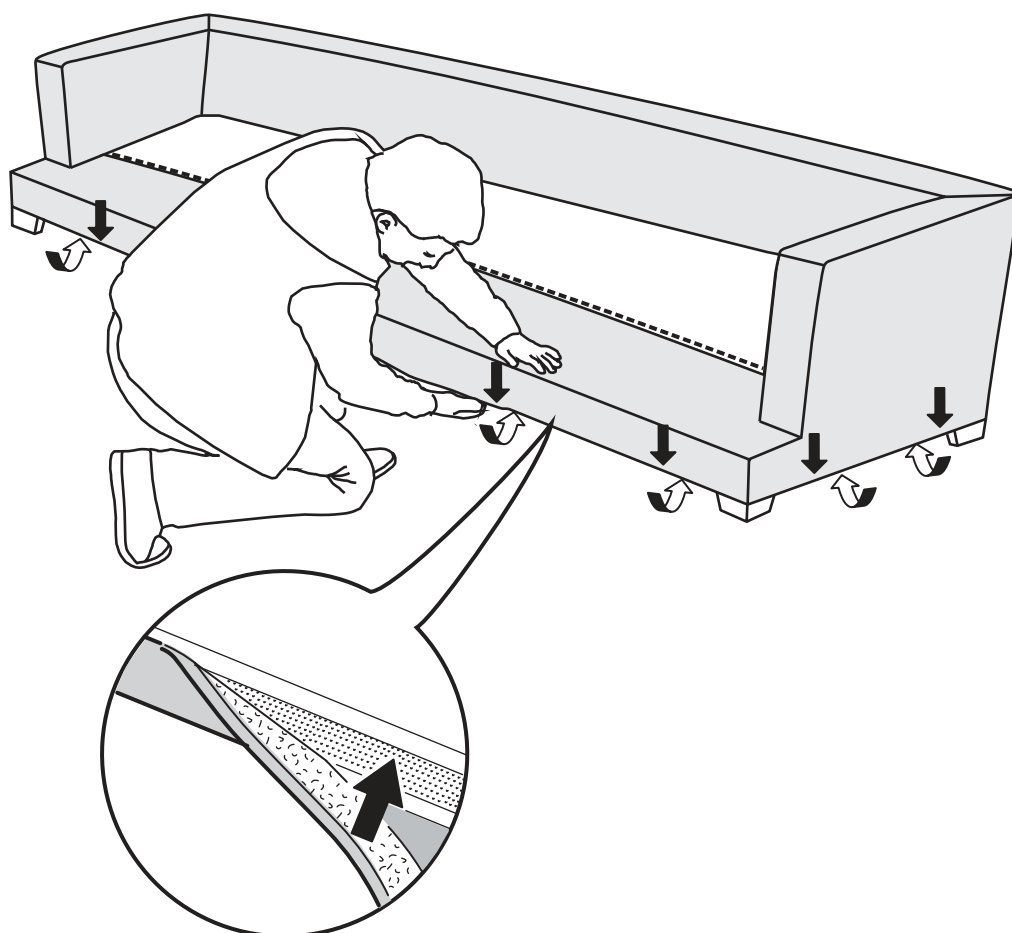
9



10



11



Zachowaj instrukcję / Please keep instructions / Bewahren Sie die Anleitung / Merci de garder l'instruction